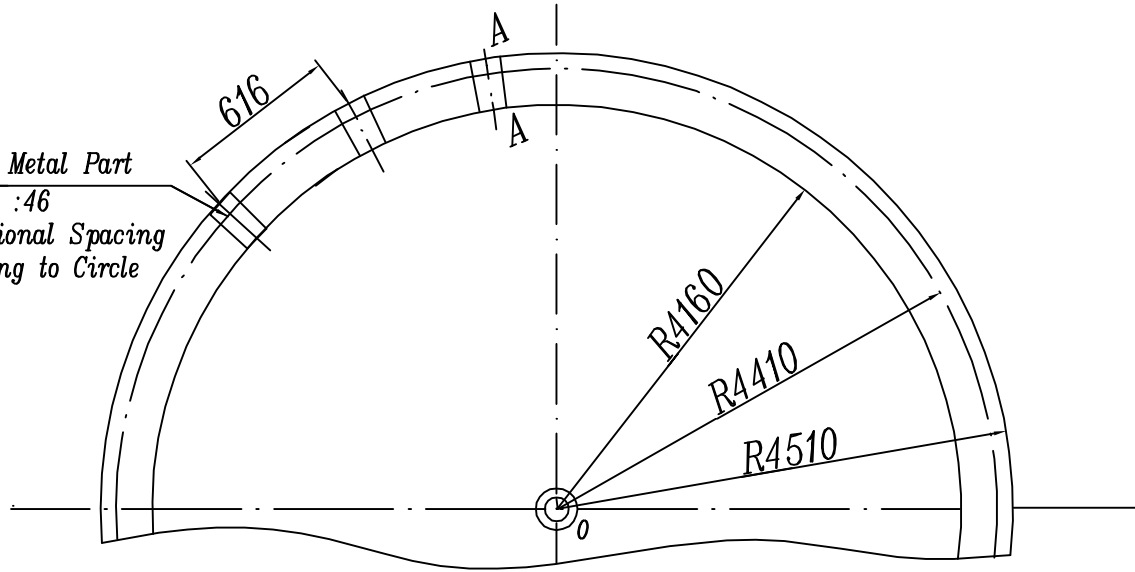
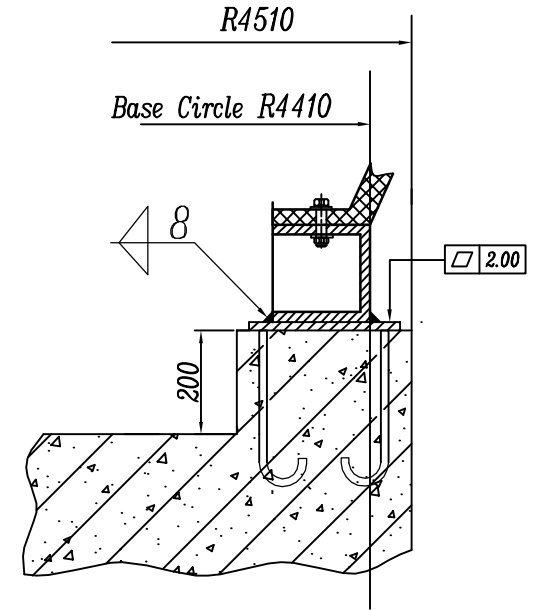


CAD

Buried Metal Part  
Amount :46  
Proportional Spacing  
According to Circle

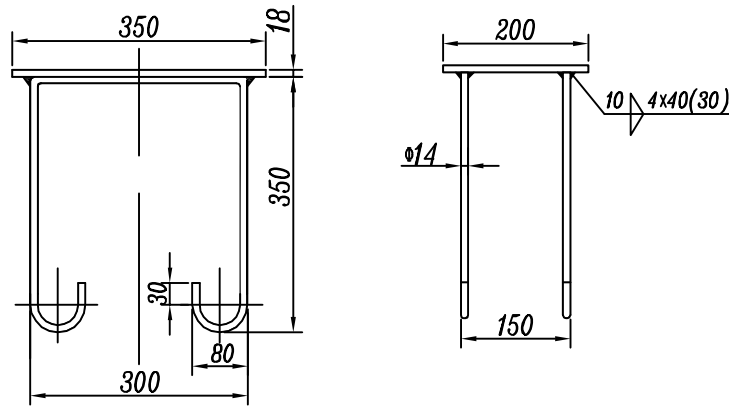


Dimension of Radome Base



A-A

<i>Mechanical Specification</i>	
<i>Lift at 67m/s</i>	<i>38106Kg</i>
<i>Drag at 67m/s</i>	<i>48510Kg</i>
<i>Overturning moment at 67m/s</i>	<i>185367Kg·M</i>



Buried Metal Part

			JS12.5	Harbin Topfrp Composite Co.,Ltd.
marker	rejigger No	signature date		Base Dimension for Concrete Tower of 12.5m Radome
Designed by			phase marker weight scale	
Checked by				JS12.5-JC-0
	Approved by		sheet	