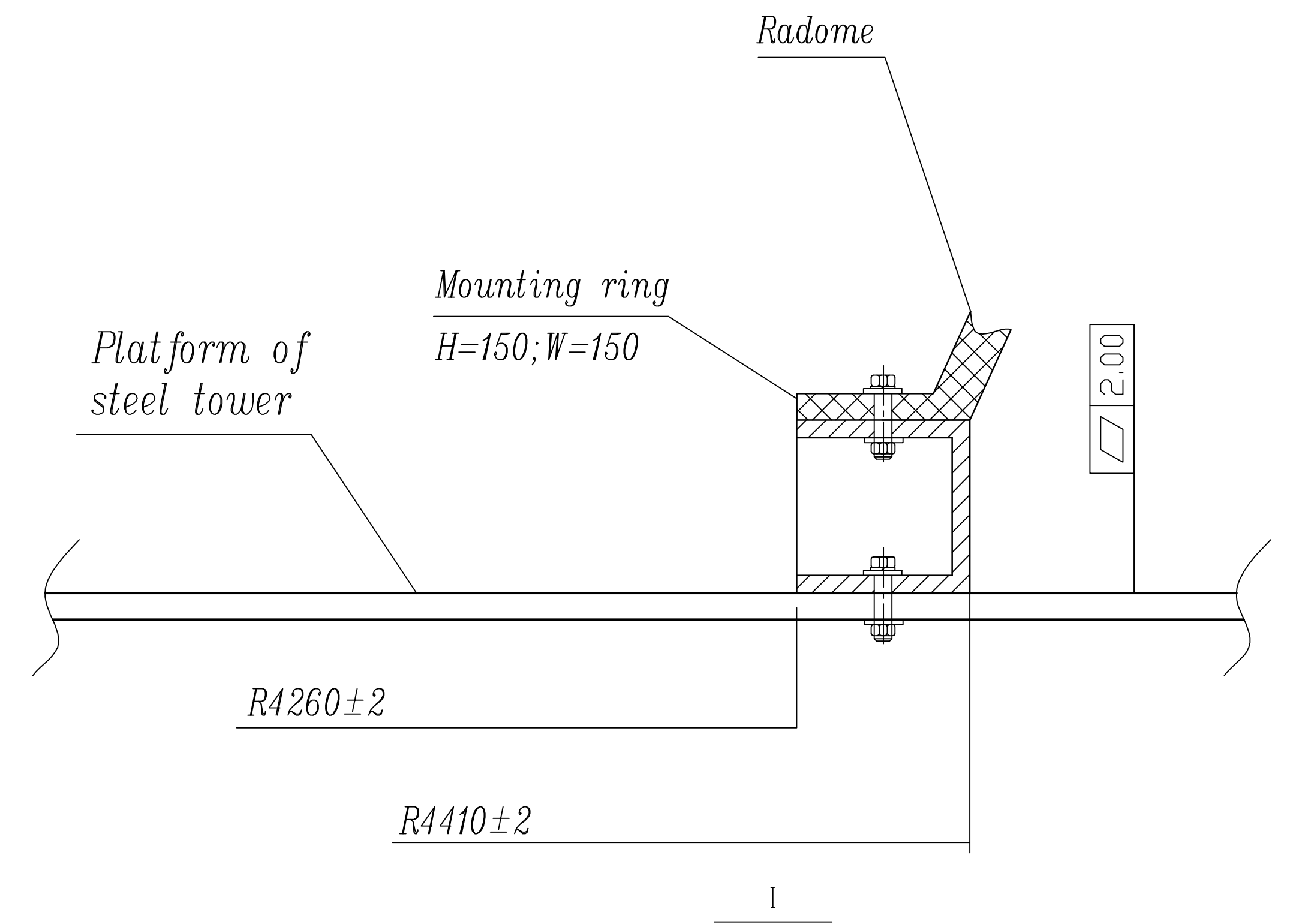
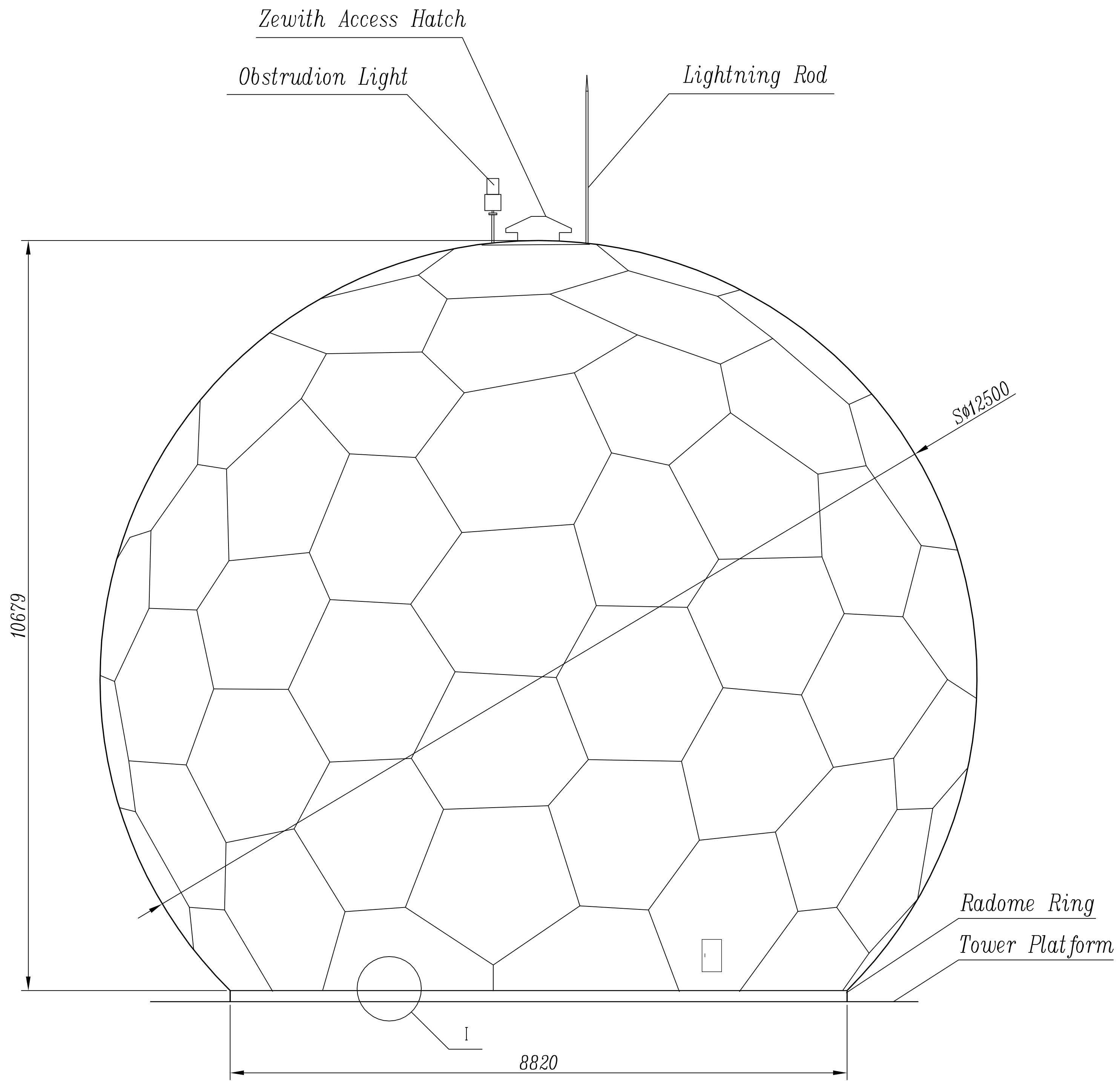


CAD

signature

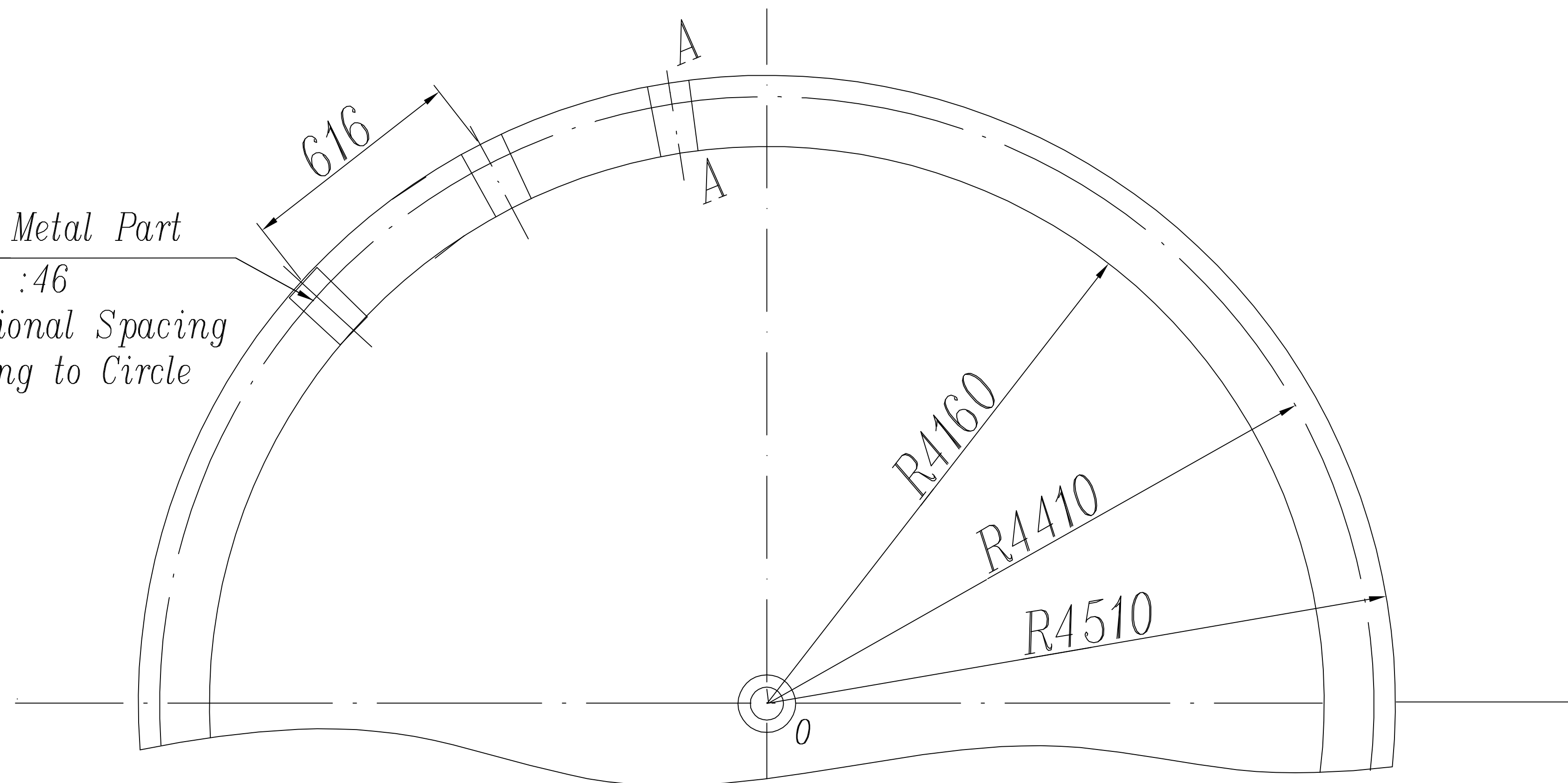


Note:

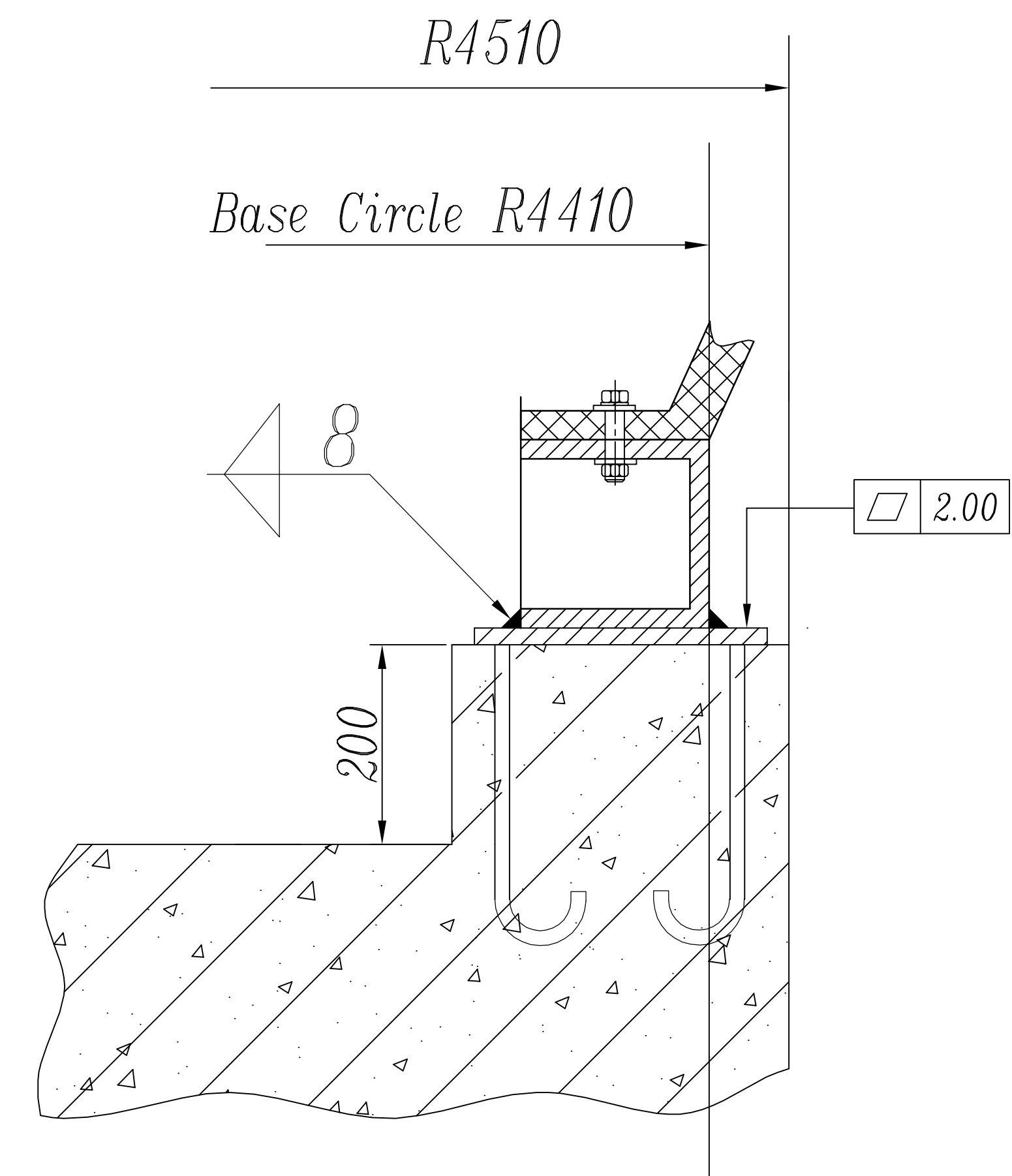
1. Mass: The radome not exceed 4200kg (dead weight).
2. The subcontractor of steel tower shall supply two grounds and the electrical source (220V 50Hz) on the tower platform.

			JS12.5			Harbin Topfrp Composite Co.,Ltd.		
marker	rejigger No	signature date				12.5m diameter Radome		
Designed by						phase marker	weight	scale
Checked by						JS12.5-0-0		
	Approved by					sheet		

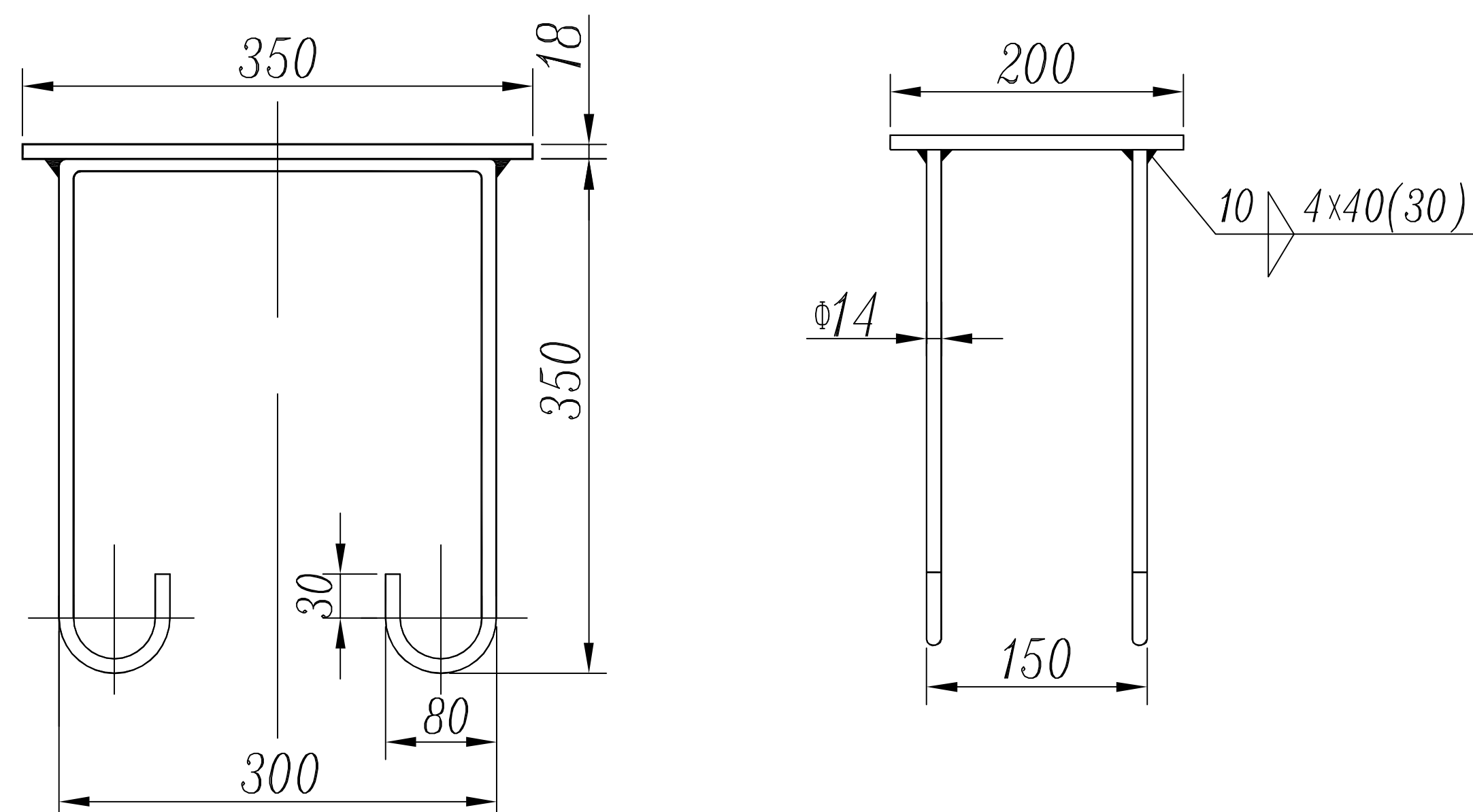
Buried Metal Part
Amount :46
Proportional Spacing
According to Circle



Dimension of Radome Base



A-A



Buried Metal Part

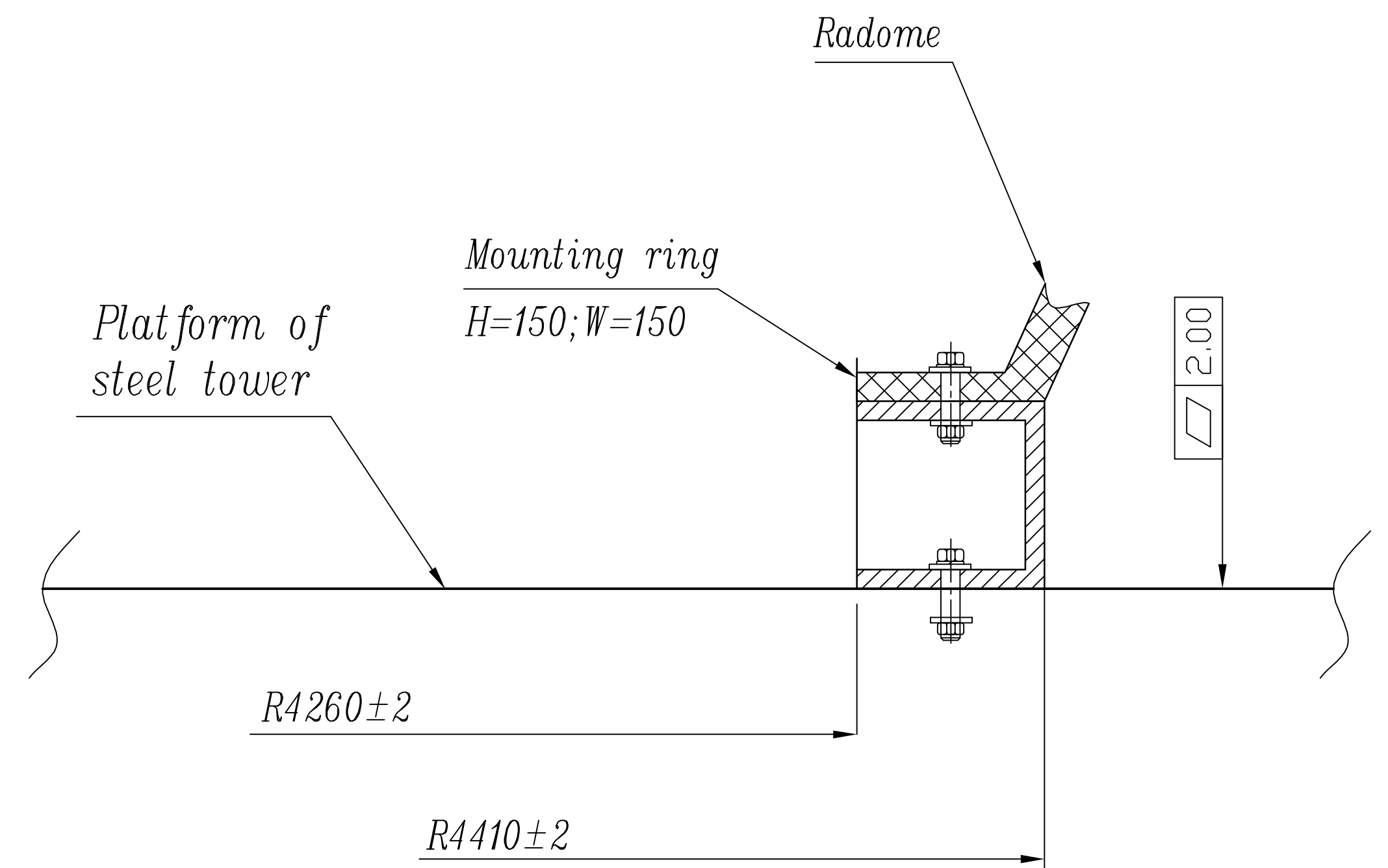
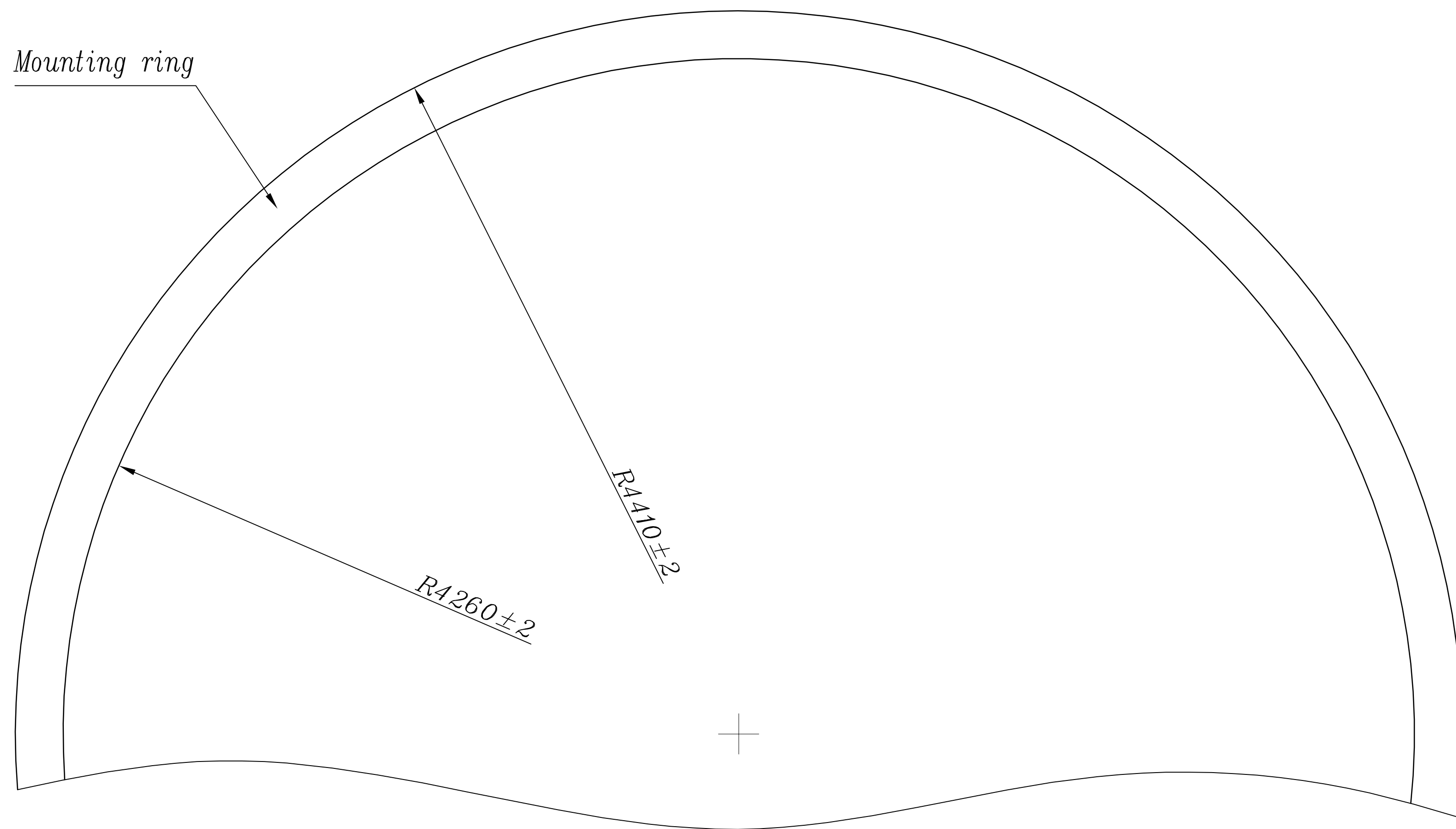
Mechanical Specification

Lift at 67m/s	38106 Kg
Drag at 67m/s	48510 Kg
Overturning moment at 67m/s	185367 Kg·M

			JS12.5			Harbin Topfrp Composite Co.,Ltd.		
marker	rejigger No	signature date	Base Dimension for Concrete Tower of 12.5m Radome					
Designed by								
Checked by			phase marker	weight	scale	JS12.5-JC-0		
	Approved by		sheet					

CAD

signature



Note:

1. Mass: The radome not exceed 4200kg (dead weight).
2. The subcontractor of steel tower shall supply two grounds and the electrical source (220V 50Hz) on the tower platform.

			JS12.5			Harbin Topfrp Composite Co.,Ltd.		
marker	rejigger No	signature date				Base Dimension for Steel Tower of 12.5m Radome		
Designed by								
Checked by			phase marker	weight	scale			
	Approved by		sheet			JS12.5-JC1		